



# Yale™ Y2000 Closure

Our Yale Y2000 is a clamp-style closure that is designed specifically for pipeline application, currently 6" to 24". The operation is simple, safe, does not require special tools and does not require the operator to place himself in harm's way during any step of the opening process. Our standard design codes were designed to meet ASME BPVC Sec. VIII, Div.1 Our Y2000 is the perfect alternative to the traditional threaded closure.

## Features

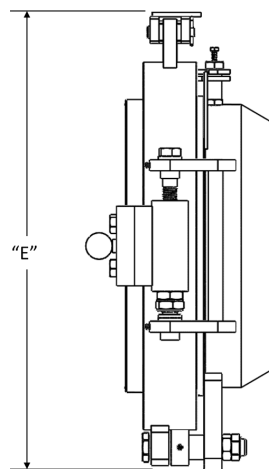
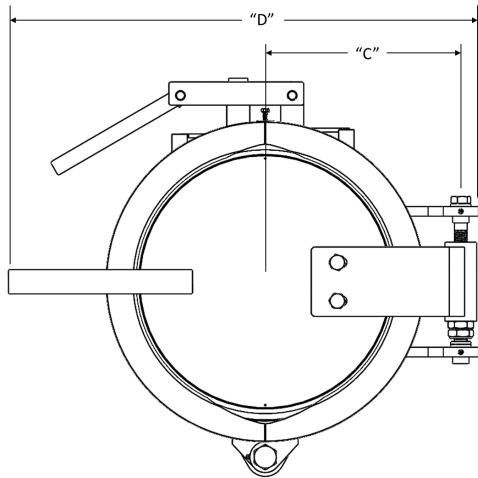
- "Quick opening" in less than 90 seconds
- Simple operation with no special tools required
- PAV pressure warning device is integral to closure operation
- Compliant with pipeline design codes ASME B31.4 and ASME B31.8
- Fabricated in the USA; available in weld end & flanged end
- Pressure class– Vacuum through ANSI 600
- Inventory stocked to match both STD and XH pipe wall thicknesses
- Dual Certified ASME SA350 LF2 CL1 / ASTM A694 F52
- .5 design factor
- Code stamp available on request

Spare/Replacement O-ring Part Numbers		
Size	Material	Part Numbers
6"	BUNA-N	Y06D002
	VITON	Y06D002A
8"	BUNA-N	Y08D002
	VITON	Y08D002A
10"	BUNA-N	Y10D002
	VITON	Y10D002A
12"	BUNA-N	Y12D002
	VITON	Y12D002A
14"	BUNA-N	Y14D002
	VITON	Y14D002A
16"	BUNA-N	Y16D002
	VITON	Y16D002A
18"	BUNA-N	Y18D002
	VITON	Y18D002A
20"	BUNA-N	Y20D002
	VITON	Y20D002A
24"	BUNA-N	Y24D002
	VITON	Y24D002A

Complete Assembly Part Numbers			
	Pipe Schedule	O-ring	Part Numbers
6"	STD	BUNA-N	Y06D601
	STD	VITON	Y06D603
	XH	BUNA-N	Y06D600
	XH	VITON	Y06D602
8"	STD	BUNA-N	Y08D601
	STD	VITON	Y08D603
	XH	BUNA-N	Y08D600
	XH	VITON	Y08D602
10"	STD	BUNA-N	Y10D601
	STD	VITON	Y10D603
	XH	BUNA-N	Y10D600
	XH	VITON	Y10D602
12"	STD	BUNA-N	Y12D601
	STD	VITON	Y12D603
	XH	BUNA-N	Y12D600
	XH	VITON	Y12D602
14"	STD	BUNA-N	Y14D601
	STD	VITON	Y14D603
	XH	BUNA-N	Y14D600
	XH	VITON	Y14D602
16"	STD	BUNA-N	Y16D601
	STD	VITON	Y16D603
	XH	BUNA-N	Y16D600
	XH	VITON	Y16D602
18"	STD	BUNA	Y18D601
	STD	VITON	Y18D603
	XH	BUNA	Y18D600
	XH	VITON	Y18D602
20"	S40	BUNA	Y20D601
	S40	VITON	Y20D603
	XH	BUNA	Y20D600
	XH	VITON	Y20D602
24"	S40	BUNA	Y24D601
	S40	VITON	Y24D603
	XH	BUNA	Y24D600
	XH	VITON	Y24D602

Note: Closure includes O-ring  
For flanged product, add a "1" instead of a "0". For example, a 12" STD BUNA Y12D601 becomes a Y12D611.

# Yale™ Y2000 Closure



Size	"A" Swing Radius	"B" Overall Length	"C" Center To Hinge	"D" Overall Width	"E" Overall Height	Closure Weight
6"	18.09"	7.12"	7.50"	18.50"	14.12"	67 lbs
8"	20.00"	7.00"	9.38"	20.50"	17.00"	90 lbs
10"	22.50"	7.50"	10.50"	23.25"	19.12"	136 lbs
12"	24.50"	8.00"	11.50"	25.00"	21.25"	215 lbs
14"	29.87"	10.69"	12.75"	30.49"	25.83"	387 lbs
16"	34.07"	11.43"	16.20"	34.82"	28.88"	515 lbs
18"	40.52"	15.18"	19.66"	41.28"	35.60"	1050 lbs
20"	43.02"	17.00"	20.27"	43.77"	38.88"	1408 lbs
24"	50.31"	17.00"	24.10"	51.10"	42.86"	1735 lbs

PAV ASSEMBLY	PART NUMBER
6", 8" & 10" w/ BUNA O-ring	Y08D065
6", 8" & 10" w/ VITON O-ring	Y08D065A
12", 14" & 16" w/ BUNA O-ring	Y12D065
12", 14" & 16" w/ VITON O-ring	Y12D065A
18", 20", & 24" w/ BUNA O-ring	Y20D065
18", 20", & 24" w/ VITON O-ring	Y20D065A

\* PAV assembly includes: PAV, O-ring for PAV, and replacement chain to attach to closure.

