

Yale™ Y-2000 Closure



Our Yale Y-2000 is a clamp-style closure that is designed specifically for pipeline application, currently 8" through 12". The operation is simple, safe, does not require special tools and does not require the operator to place himself in harm's way during any step of the opening process. Our standard design codes are ASME B31.4 and B31.8. Our Y-2000 is the perfect alternative to the traditional threaded closure.

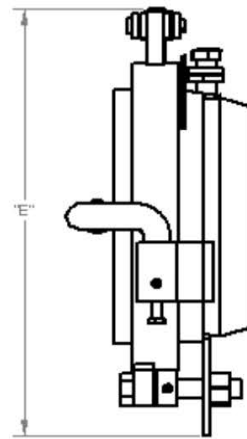
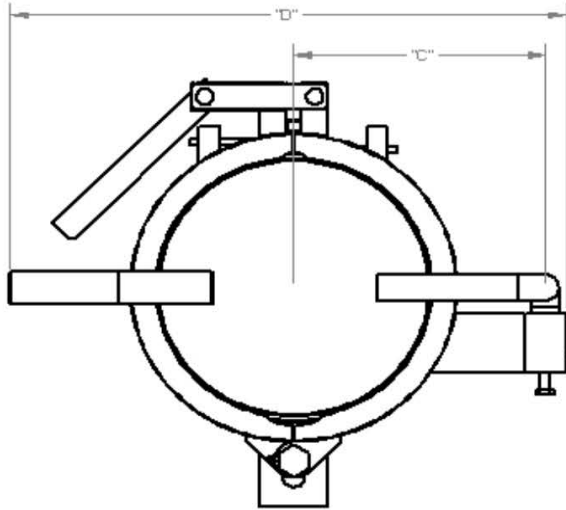
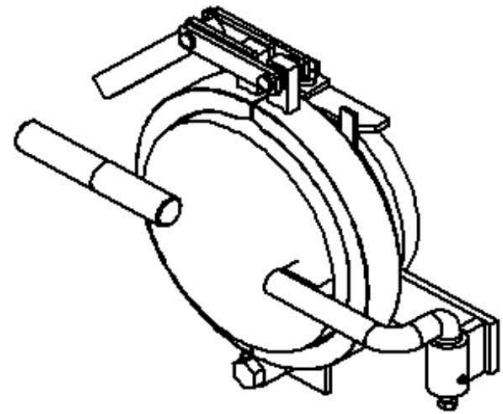
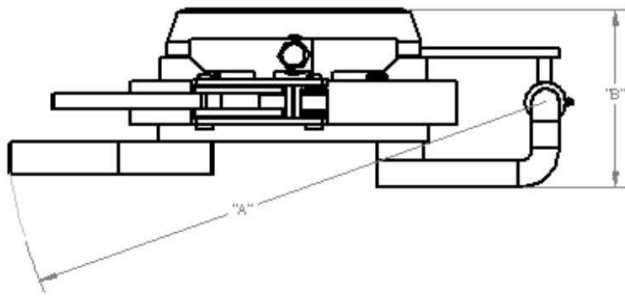
Features:

- True quick opening- less than 90 seconds
- Simple operation- no special tools required
- PAV pressure warning device is integral to closure operation
- Compliant with pipeline design codes ASME B31.4 and ASME B31.8
- Forging and fabrication country of origin– USA
- O-ring seal- Standard AS-568 O-rings in commercially available sizes and materials
- Pressure class– Vacuum through ANSI 600
- Inventory stocked to match both STD and XH pipe wall thicknesses

COMPLETE ASSEMBLY PART NUMBERS			
Note: Closure Includes O-ring	Pipe Schedule	O-ring	Part Numbers
8"	STD	BUNA-N	Y08D601
	STD	VITON	Y08D603
	XH	BUNA-N	Y08D600
	XH	VITON	Y08D602
10"	STD	BUNA-N	Y10D601
	STD	VITON	Y10D603
	XH	BUNA-N	Y10D600
	XH	VITON	Y10D602
12"	STD	BUNA-N	Y12D601
	STD	VITON	Y12D603
	XH	BUNA-N	Y12D600
	XH	VITON	Y12D602

SPARE/REPLACEMENT O-RING PART NUMBERS		
Size	Material	Part Number
8"	BUNA-N	Y08D002
	VITON	Y08D002A
10"	BUNA-N	Y10D002
	VITON	Y10D002A
12"	BUNA-N	Y12D002
	VITON	Y12D002A

Yale™ Y-2000 Closure



Size	"A" Swing Radius	"B" Overall Length	"C" Center to Hinge	"D" Overall Width	"E" Overall Height	Closure Weight
8"	20"	7"	9 3/8"	20 1/2"	17"	90 lbs
10"	22 1/2"	7 1/2"	10 1/2"	23 1/4"	19 1/8"	136 lbs
12"	24 1/2"	8"	11 1/2"	25"	21 1/4"	215 lbs